

DataCabos

INDUSTRIA E COMERCIO DE COMPONENTES ELETROELETRONICOS LTDA

Descrição: Centelhador tripolar a Gás com Fail Safe 230V

Importado e Distribuido no Brasil pela Datacabos

Código Datacabos: 31410032-8

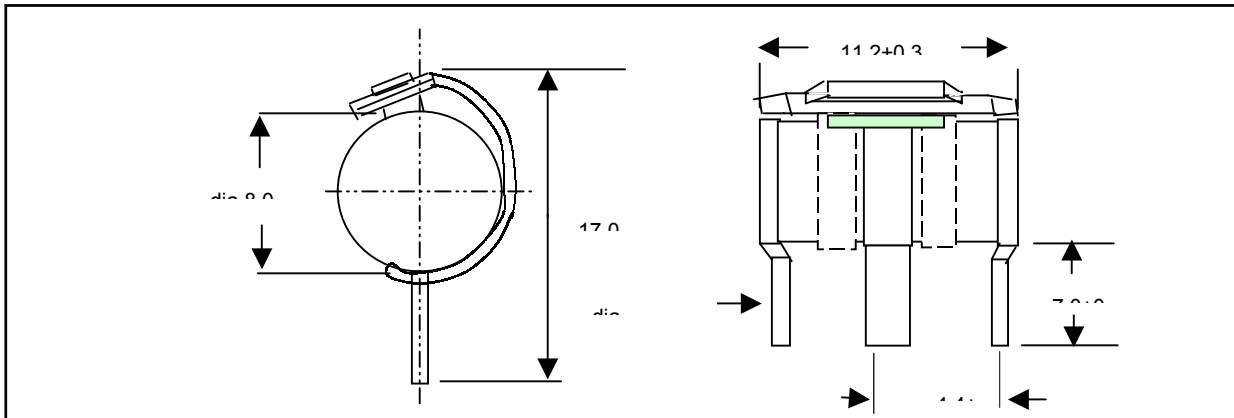
Fabricante: Nemtech Electronic Devices Limited

Cód Fabricante: 3R230LF

ESPECIFICAÇÃO

GAS DISCHARGE TUBES - SALIENT FEATURES

- * Stable breakdown voltage
- * High insulation resistance; enables the use in high temperature and humidity
- * Small capacitance; minimises transmission loss and noise even with high frequency range
- * High durability against surges and fast restorability
- * Long life
- * Free of radioactive substance
- * Inexpensive for superior performance
- * High mechanical strength prevents leak and breakdown from strong shock
- * Various types available



3 TERMINAL CERAMIC TYPE GD TUBE - 3R230LF			
Sl. No.	Description	Test Condition	Specification
ELECTRICAL CHARACTERISTICS, Test Methods as per ITU-T (CCITT) K.12			
1	D.C Spark-Over Voltage	100V/Sec	230 ±20%
2	Impulse Spark-Over Voltage	100V/μsec	<500V
3	Impulse Spark-Over Voltage	1000V/μsec	<650V
4	Impulse Transverse Delay	1000 V/μ sec	< 75ns

RUA DA VARZEA, 468 – JARDIM SÃO PEDRO – PORTO ALEGRE – RS

CEP 91040-600 CNPJ 94.331.840/0001-80 I.E. 096.2857807

(051) 3361-1761

www.datacabos.com.br

DataCabos

INDUSTRIA E COMERCIO DE COMPONENTES ELETROELETRONICOS LTDA

5	Insulation Resistance	100V	>10 ¹⁰ Ohm
6	Glow Voltage	10 mA	< 70 V
7	Arc Voltage	2 A	< 10 V
8	Capacitance	1 M Hz	< 1.5 pF
9	DC Holdover Voltage	135 V	< 150 ms
10	Impulse Discharge Current	10000 A, 8/20µsec	10 Operations
		200 A, 10/700µsec	500 Operations
		200 A, 10/1000µsec	300 Operations
11	Alternating Discharge Current	10 A r.m.s, 1 sec	10 Operations
12	Fail-safe Operating Time	10 A r.m.s	< 5 Sec

NOTES:

1. All dimensions are in mm
2. Electrodes are nickel plated where as all lead terminals are Tin plated.
3. Marking on the GD Tube

NEDL

MM

YY

3R230LF
NEDL MMY
: Manufacturer
: Month of
manufacture
: Year of
manufacture

4. The above model is also available without fail-safe mechanism which is named as 3R230L

5. This model can be supplied without Leads, namely 3R230F

6. Blister Packing

RUA DA VARZEA, 468 – JARDIM SÃO PEDRO – PORTO ALEGRE – RS
CEP 91040-600 CNPJ 94.331.840/0001-80 I.E. 096.2857807
(051) 3361-1761

www.datacabos.com.br